



PARMA 17

AERIAL TRAILER MOUNTED PLATFORM ARTICULATED AND TELESCOPIC, FOR WORKING HEIGHTS UP TO 17 METER (55,70 FEET)

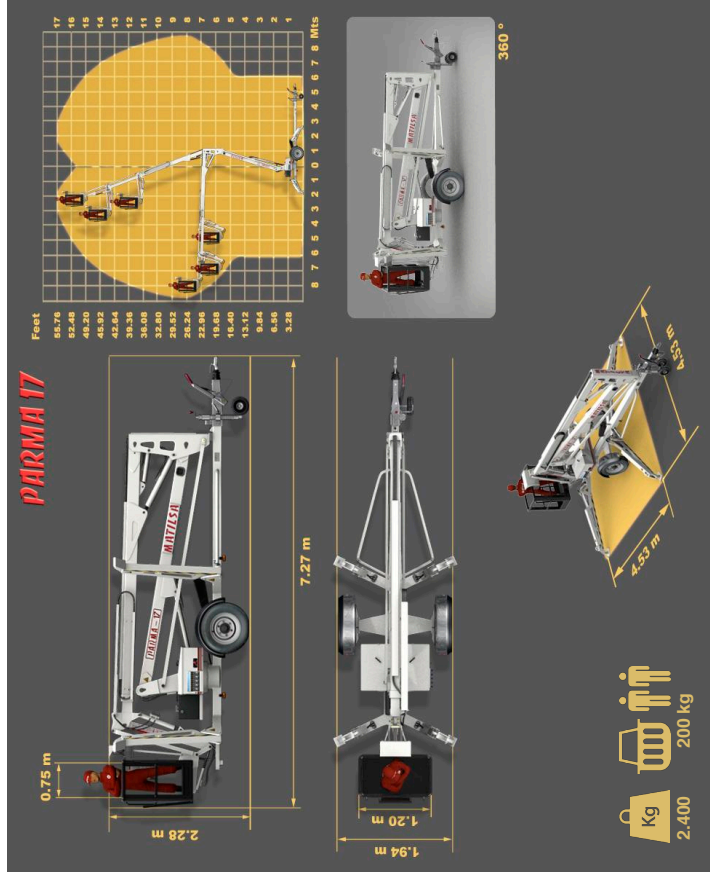
STANDARD MODEL:

- * 230V main power
- * Visual level for stabilisation
- * Ball Coupling with inertia brake
- * Aluminium Basket (1.1 x 0.6) m
- * Hydraulic stabilizers
- * Proportional controls
- * Emergency lowering from the ground





PARMA 17



Optional accessories

- 1 Electric outlet in basket
- 2 Descent buzzer
- 3 Rotating light
- 4 Spare wheels
- 5 Lighting kit for roads
- 6 Hour meter
- 7 Bi energy: 230V + (Gasoline or Batteries)
- 8 Bi energy: 230V + Diesel Engine
- 9 Batteries main power
- 10 Bi energy: Batteries + Petrol Engine
- 11 Bi energy: Batteries + Diesel Engine
- 12 Charge indicator for batteries
- 13 Self driving system on wheels
- 14 Insulating basket
- 15 Aluminium basket 1.9m + basket load
- 16 Control weight in the basket
- 17 Emergency lowering from the basket
- 18 Hydraulic basket rotation 145°
- 19 Support pads (40 x 30)cm
- 20 Stabilizer for ball and ring coupling
- 21 Ring coupling

